

## Series Overview

Dynalene's IC Series ion exchange cartridges are designed and extensively tested for greater ion removal for our low-conductivity heat transfer fluid products. These cartridges can be easily installed into systems operating from -40° up to 200°F (-40° to 93°C). Our resin cartridge products, which are currently used in low conductivity cooling applications such as fuel cell and battery cooling, can be custom designed for your systems.



## Features

- Wide operational temperature range
- High-capacity media
- Performance-tested for a long operating cycle
- Maintains fluid and system health
- Compatible with non-ionic inhibitors
- Compatible with low-conductivity glycol fluids
- Resistant to physical and chemical deterioration
- Easy to install, minimal maintenance

## Applications

- Fuel cell cooling
- Battery cooling
- Electronics cooling
- Computer cooling
- Laser cooling
- EV and charging stations
- All applications that requires low electrical conductivity of the fluid over the time of operation

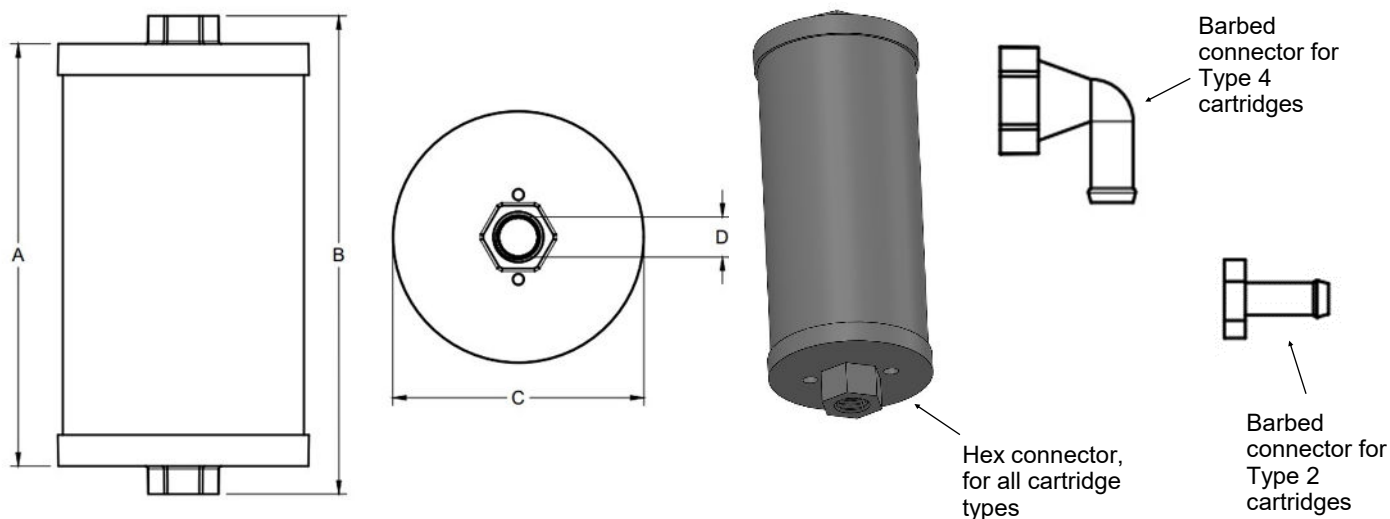
## Specifications

Properties	Value	Exchange capacity	
Max. operating temperature	Intermittent 200°F (93°C) Continuous 185°F (85°C)	<b>Product number</b>	<b>Capacity (meq)</b>
Material of construction	Polypropylene	IC-093-04H	203
Max. operating pressure	30 psi	IC-093-06H	262
Orientation	Vertical	IC-093-08H	1273
Media	Ion exchange resin	IC-093-14H	2420
Connection Type	FNPT and Barb options	IC-093-24H	3864

## Customization

Along with the standard products, we can also custom design cartridges that meet your requirements. Contact us today at [610.262.9686](tel:610.262.9686) or email at [info@dynalene.com](mailto:info@dynalene.com) and discuss your application with Dynalene's cartridge experts today.

## Design and Construction



IC Series cartridge dimensions, weight and flow rate compatibility

Cartridge Part Number	A [in(mm)]	B [in(mm)]	Average Weight [lbs (kg)]	Max flow rate [GPM (L/s)]	Max Pressure Rating at 90°C [psi (bar)]
IC-093-04H	4.0" (102)	5.0" (127)	0.45 (.20)	1.0 (0.063)	30 (2.07)
IC-093-04BO	4.0" (102)	6.4" (163)	0.45 (.20)	1.0 (0.063)	30 (2.07)
IC-093-06H	5.1" (129)	6.1" (155)	0.55 (0.25)	1.3 (0.082)	30 (2.07)
IC-093-06BO	5.1" (129)	7.5" (191)	0.55 (0.25)	1.3 (0.082)	30 (2.07)
IC-093-08H	7.6" (193)	8.6" (218)	2.9 (1.3)	2.0 (0.13)	30 (2.07)
IC-093-08-B	7.6" (193)	11.0" (279)	2.9 (1.3)	2.0 (0.13)	30 (2.07)
IC-093-14H	13.5" (343)	14.5" (368)	5.3 (2.4)	2.3 (0.14)	20 (1.38)
IC-093-14-B	13.5" (343)	16.9" (429)	5.3 (2.4)	2.3 (0.14)	20 (1.38)
IC-093-16H	15.5" (394)	16.5" (419)	5.7 (2.6)	2.5 (0.16)	20 (1.38)
IC-093-16-B	15.5" (394)	18.9" (480)	5.7 (2.6)	2.5 (0.16)	20 (1.38)
IC-093-24H	24" (611)	25" (635)	9.5 (4.3)	3.4 (0.21)	20 (1.38)
IC-093-24-B	24" (611)	27.4" (696)	9.5 (4.3)	3.4 (0.21)	20 (1.38)

Cartridge Type	Size options	C [in (mm)]	D	Angle options for barbed connection
2	04, 06	2.4" (60)	0.25 FNPT	N/A (straight barb)
4	08, 14, 16, 24	4.5" (114)	0.5 FNPT	0, 45, 90, 135, 180°

## Product Disclaimer

The information contained in this entire publication is presented in good faith at no charge and is believed to be correct as of the date indicated. No representations or warranties are made as to its completeness or accuracy.

Headquarters:  
5250 W Coplay Road.  
Whitehall, Pennsylvania 18052

Email: [info@dynalene.com](mailto:info@dynalene.com)  
Phone: 610.262.9686 / 1.877.244.5525  
Fax: 610-262-7437  
Web: [www.dynalene.com](http://www.dynalene.com)